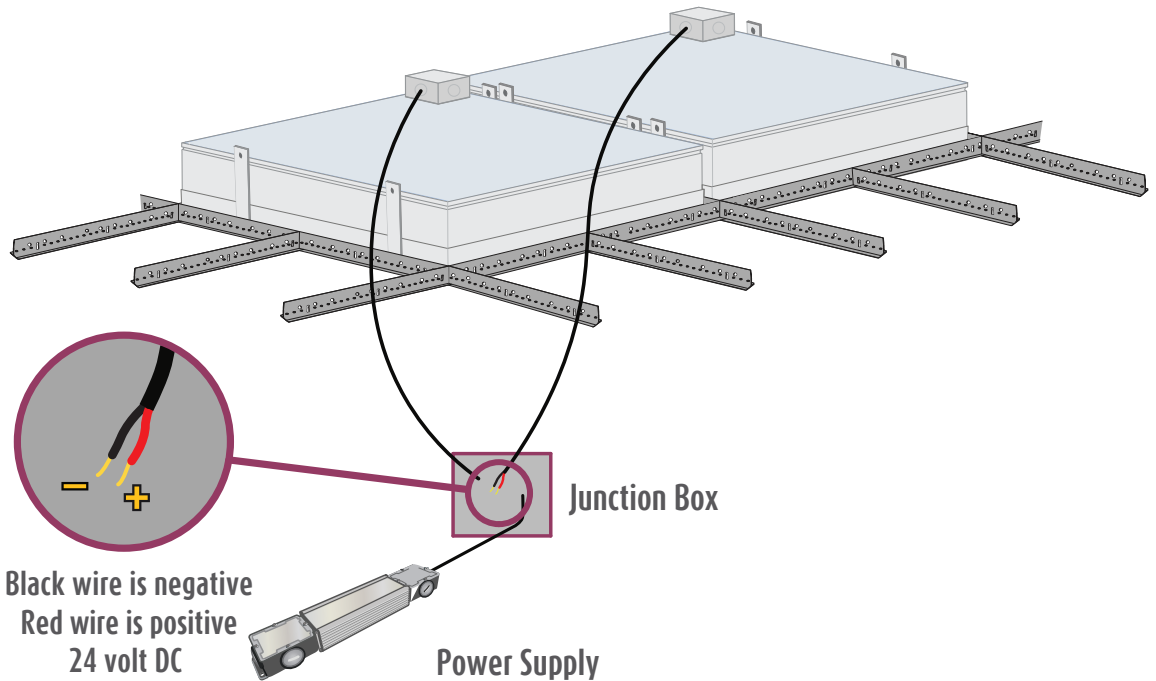


Revelation w/ EcoPlus Electrical Instructions (HLG)



Installation Instructions includes:

Revelation w/ EcoPlus Electrical Instructions (HLG)

Wiring Diagram EL001391, EL001428 & EL001453

Installation specific wiring diagram (where applicable)

For technical support at any time during the installation, please call us **toll free at 866-759-3228**.
We want your installation to go as smoothly as possible. Thank you for choosing Sky Factory.

Revelation w/ EcoPlus Electrical Requirements:

EP24 Series = EP24, EP26M, EP24G

EP26 Series = EP26, EP26M, EP26G

EP33 Series = EP33, EP33M, EP33G

EP34 Series = EP34, EP34M, EP34G

EP36 Series = EP36, EP36M, EP36G

EP44 Series = EP44, EP44M, EP44G

EP46 Series = EP46, EP46M, EP46G

NOTE: For custom sizes, see installation specific wiring diagram included (where applicable)

All EcoPlus fixtures are 24V DC only.

EcoPlus fixtures must be powered only by provided UL Recognized, CE Compliant 24V DC power supply

Dry locations only.

For installations with multiple power supplies, see

installation specific wiring diagram included (where applicable)

For installations with one or more custom sizes, see

installation specific wiring diagram included (where applicable)

RF filter, if used, is not provided by Sky Factory.

Sky Factory provided external dimmable power supply:

Input (Typ) 90-305V, 47 - 63 Hz

Output 24V DC

UL (U.S. and Canada) Recognized and CE Compliant

Maximum Watts (useable) per power supply: 600 Watts

Available sizes: 40W, 60W, 80W, 100W, 120W, 150W, 185W, 240W, 320W, 480W, 600W

AC input wire sizes: 17 AWG on 40-600W

DC output wire sizes: 17 AWG on 40-240W,480W; 14 AWG on 320W,600W

Dimmer wire sizes: 20 AWG on 40-480W; 18 AWG on 600W

Power supply must have 2" clearance for air flow. Wall mount recommended.

Power supply must be mounted in dry locations.

Surface mountable

Revelation w/ EcoPlus Electrical Requirements (cont'd):

Sky Factory provided dimmer control (where specified):

Lutron Diva DVSTV 0 - 10V dimmer/switch (UL & CSA compliant)

Input: auto-ranging 120 - 277V AC

Mounts in standard single-gang electrical box

White standard, other colors available on request

Lutron Diva DVTV 0 - 10V dimmer/switch and PP-DV power pack (UL & CSA compliant)

Input: auto-ranging 120 - 277V AC

Lutron Diva mounts in standard single-gang electrical box

White standard, other colors available on request

Jung 240-10 dimmer/switch and external relay where specified (CE compliant)

Input: 230 - 240V AC

Installs in appliance box to DIN 49073

Helvar TK4 140 dimmer/switch (CE compliant)

Input: 220 - 240V AC

Mounts in standard UK or DIN back box

For dimming requirements, see page 6

For dimmer wiring diagrams, see dimmer control (and relay where specified) and wiring diagrams included

Electrical work must be performed by a qualified electrician who is familiar with DC lighting systems and must conform to all local and national codes.

Non-Dimmable and Dimmable Certification:

ES22 Series, ES24 Series, ES26 Series, ES33 Series, ES34 Series, ES36 Series, ES44 Series, ES46 Series, ESCST Series, EP22 Series, EP24 Series, EP26 Series, EP33 Series, EP34 Series, EP36 Series, EP44 Series, EP46 and EPCST Series fixtures when used with 24PS HLG Power System UL, CSA and CE Listed by Intertek Group plc

Step 1: Wiring the Revelation fixtures to the power supply

See wiring diagrams on pages 7-9 and installation specific wiring diagram included (where applicable)

EcoPlus Lighting System - EP24 to EP46 Series				
TSF Model No.	Light Box Dimensions and Weight Only		System Wattage (Max)	Input Current @ 24 Volts DC
	WxLxH	Weight		
EP24	22.8125 x 46.8125 x 5.85 (inches)	10.2 lb	47.1	1.96A
EP26	22.8125 x 70.8125 x 5.85 (inches)	16.7 lb	69.1	2.88A
EP33	34.8125 x 34.8125 x 5.85 (inches)	12.6 lb	51.8	2.16A
EP34	34.8125 x 46.8125 x 5.85 (inches)	15.9 lb	69.1	2.88A
EP36	34.8125 x 70.8125 x 5.85 (inches)	22.4 lb	103.7	4.32A
EP44	46.8125 x 46.8125 x 5.85 (inches)	19.9 lb	92.2	3.84A
EP46	46.8125 x 70.8125 x 5.85 (inches)	27.8 lb	138	5.75A
EP24M	57 x 117 x 14.86 (cm)	4.5 kg	47.1	1.96A
EP26M	57 x 177 x 14.86 (cm)	7.4 kg	69.1	2.88A
EP33M	87 x 87 x 14.86 (cm)	5.6 kg	51.8	2.16A
EP34M	87 x 117 x 14.86 (cm)	7.2 kg	69.1	2.88A
EP36M	87 x 177 x 14.86 (cm)	9.9 kg	103.7	4.32A
EP44M	117 x 117 x 14.86 (cm)	8.8 kg	92.2	3.84A
EP46M	117 x 177 x 14.86 (cm)	12.3 kg	138	5.75A
EP24G	59.5 x 122 x 14.86 (cm)	4.8 kg	47.1	1.96A
EP26G	59.5 x 184.5 x 14.86 (cm)	7.9 kg	69.1	2.88A
EP33G	90.8 x 90.8 x 14.86 (cm)	5.9 kg	51.8	2.16A
EP34G	90.8 x 122 x 14.86 (cm)	7.5 kg	69.1	2.88A
EP36G	90.8 x 184.5 x 14.86 (cm)	10.6 kg	103.7	4.32A
EP44G	122 x 122 x 14.86 (cm)	9.4 kg	92.2	3.84A
EP46G	122 x 184.5 x 14.86 (cm)	13.1 kg	138	5.75A

NOTE: For custom sizes, see also installation specific wiring diagram included (where applicable)



Notice: The LED fixtures are 24V DC ONLY.

AC voltage connected directly to the fixtures
will destroy the lighting system.

Step 1 continued

Fixtures are wired together in single or multiple circuits.

Each circuit is dedicated to a single power system and may be arranged in rows or clusters, depending on installation.

A junction box with 1/2" trade size knock-outs is attached on top corner of each fixture.

- Power leads inside fixture junction box are polarized, red (+) and black (-).
- Wire size 18 AWG stranded.

Wiring from fixtures to V DC side of provided power supply is polarized, positive (+) to positive (+) and negative (-) to negative (-):

EcoPlus fixture red "+" to power supply **Vo+**

EcoPlus fixture black "-" to power supply **Vo-**

For power supply V DC wire size, see wiring diagrams included

HLG-480H-24B and HLG-600H-24B have two sets of output leads. Meanwell recommends loading no more than:

240 Watts on each set of cables for HLG-480H-24B

480 Watts on each set of cables for HLG-600H-24B

Wire and additional junction boxes from the fixtures to the power supply provided by others.

Wire gauge must conform to local and national codes. Voltage drop of no more than 2% is recommended.

Step 2: Wiring the power supply to source V AC

Run power to V AC side of the power supply.

Load to power supply **ACL**

Neutral to power supply **ACN**

Ground to power supply  **(GREEN/YELLOW)**

Wire gauge must conform to local and national codes.

Install the power switch on the V AC input side of the power supply.

Step 3: Dimming requirements

Contact the Sky Factory if you plan on using a dimming system provided by others.



Notice: Dimming using non-approved systems may permanently damage LED's and will void the warranty!

Wiring a Sky Factory provided dimmer control:

To wire the 0-10V dimmer control (and external relay where specified), refer to wiring diagram included with dimmer and relay and wiring diagrams included.

Step 4: Checking the polarity



Notice: CHECK THE POLARITY BEFORE TURNING ON POWER. MAKE SURE:

Red wires on the fixtures go to the "+" terminals of the power supply

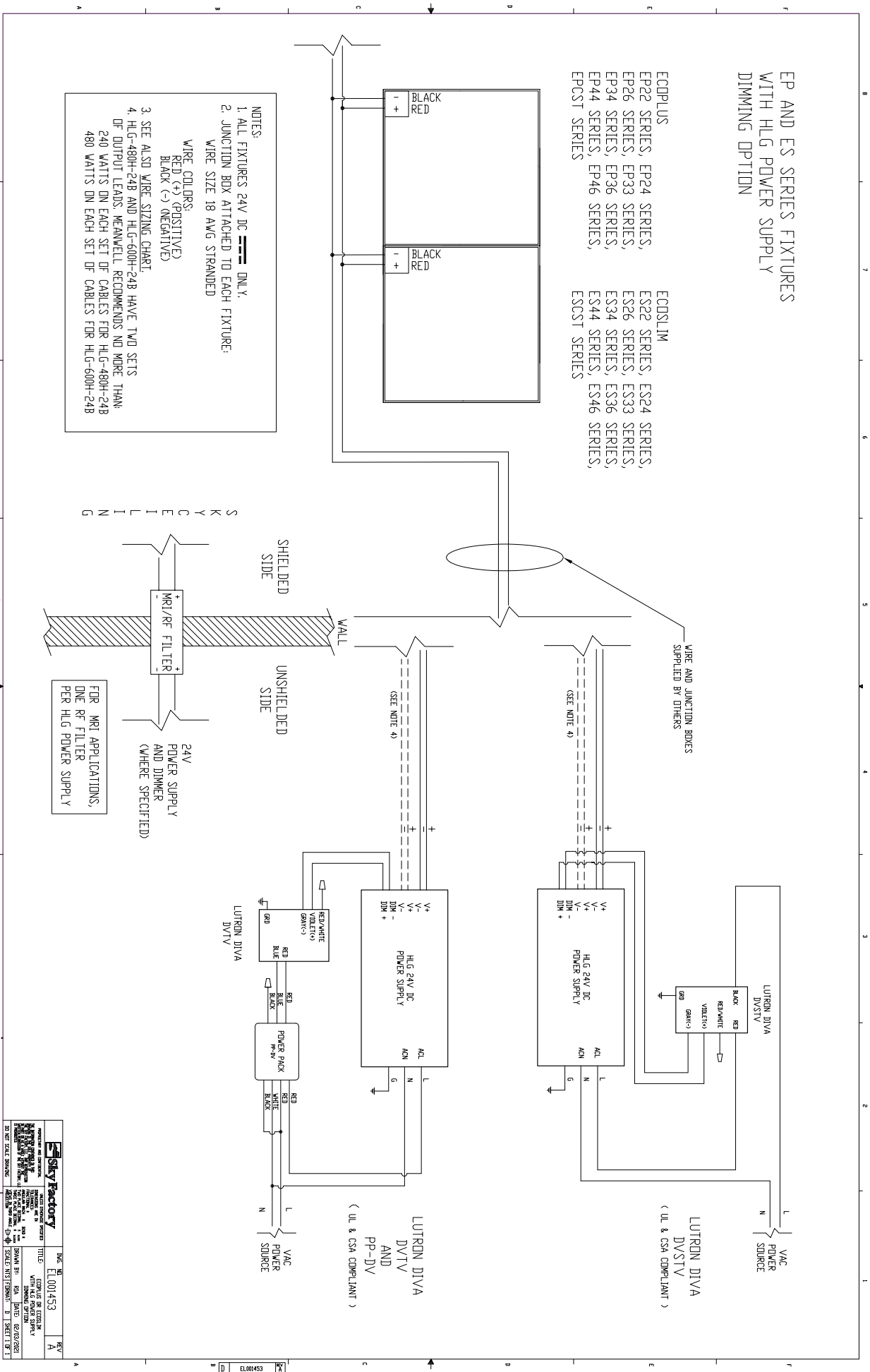
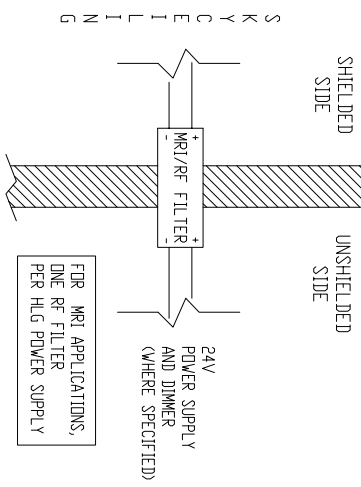
Black wires on the fixtures go to the "-" terminals of the power supply

IF THE SYSTEM IS WIRED BACKWARD, IT WILL DESTROY THE LED'S!

EP AND ES SERIES FIXTURES
WITH HLG POWER SUPPLY
DIMMING OPTION

- ECOPPLUS
EP22 SERIES, EP24 SERIES,
EP26 SERIES, EP33 SERIES,
EP34 SERIES, EP36 SERIES,
EP44 SERIES, EP46 SERIES,
EPCST SERIES
- ECOSLIM
ES22 SERIES, ES24 SERIES,
ES26 SERIES, ES33 SERIES,
ES34 SERIES, ES36 SERIES,
ES44 SERIES, ES46 SERIES,
ECSST SERIES

- NOTES:
1. ALL FIXTURES 24V DC ONLY.
2. JUNCTION BOX ATTACHED TO EACH FIXTURE:
WIRE SIZE 18 AWG STRANDED
- WIRE COLORS:
RED (+) (POSITIVE)
BLACK (-) (NEGATIVE)
3. SEE ALSO WIRE SIZING CHART.
4. HLG-480H-24B AND HLG-600H-24B HAVE TWO SETS
OF OUTPUT LEADS. MEANWELL RECOMMENDS NO MORE THAN
480 WATTS ON EACH SET OF CABLES FOR HLG-600H-24B

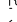


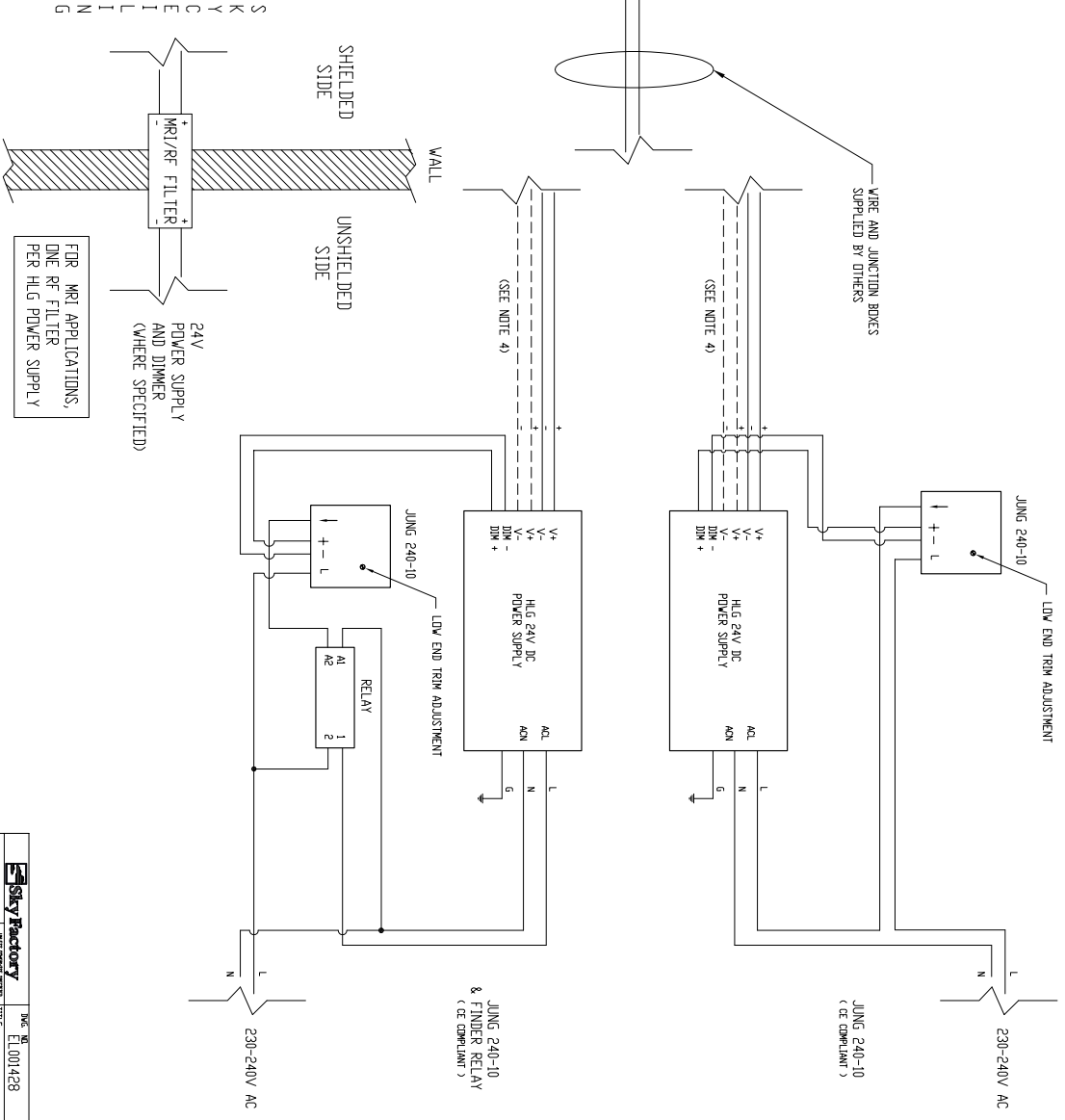
Sky Factory	
MANUFACTURED BY	SKY FACTORY
DESIGNED BY	SKY FACTORY
DATE	06/20/2021
PROJECT NO.	18-00000000
SCALE	AS SHOWN
TITLE: WIRING DIAGRAM FOR EP AND ES SERIES WITH HLG POWER SUPPLY DRAWN BY: SKY DATE: 06/20/2021 CHECKED BY: SKY DATE: 06/20/2021 SCALE: AS SHOWN SHEET: 1 OF 1	

EP AND ES SERIES FIXTURES WITH HLG POWER SUPPLY DIMMING OPTION

ECOPPLUS
EP22 SERIES, EP24 SERIES,
EP26 SERIES, EP33 SERIES,
EP34 SERIES, EP36 SERIES,
EP44 SERIES, EP46 SERIES,
EPCST SERIES

ECOSLIM
ES22 SERIES, ES24 SERIES,
ES26 SERIES, ES33 SERIES,
ES34 SERIES, ES36 SERIES,
ES44 SERIES, ES46 SERIES,
ESCST SERIES

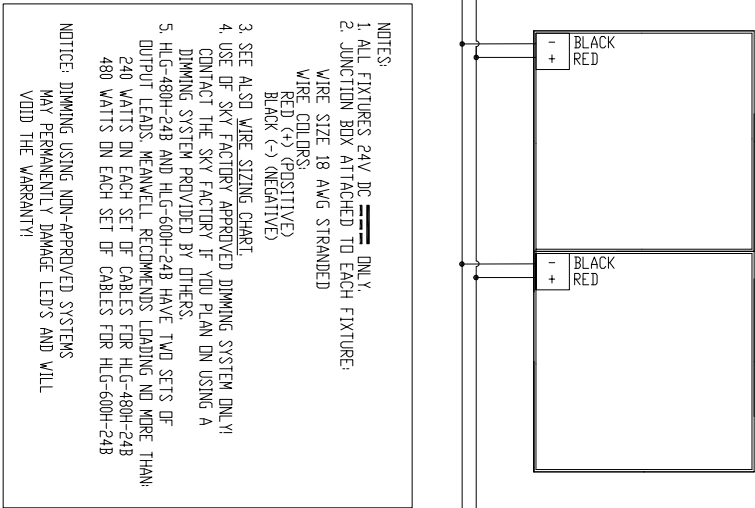
- NOTES:
1. ALL FIXTURES 24V DC  ONLY.
 2. JUNCTION BOX ATTACHED TO EACH FIXTURE:
WIRE SIZE 18 AWG STRANDED
 3. SEE ALSO WIRE SIZING CHART.
WIRE COLORS:
RED (+) (POSITIVE)
BLACK (-) (NEGATIVE)
 4. HLG-480H-24B AND HLG-600H-24B HAVE TWO SETS OF OUTPUT LEADS. MEANWELL RECOMMENDS NO MORE THAN 240 WATTS ON EACH SET OF CABLES FOR HLG-480H-24B 480 WATTS ON EACH SET OF CABLES FOR HLG-600H-24B



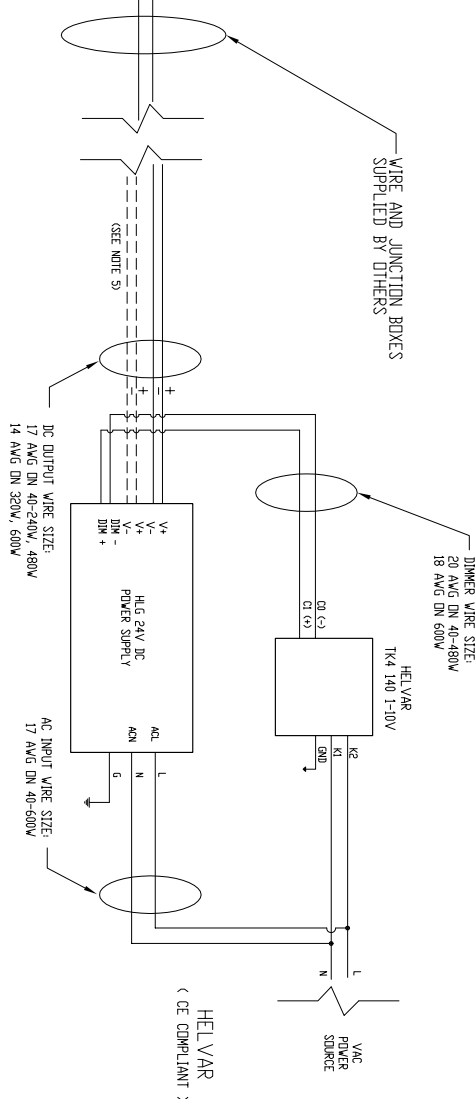
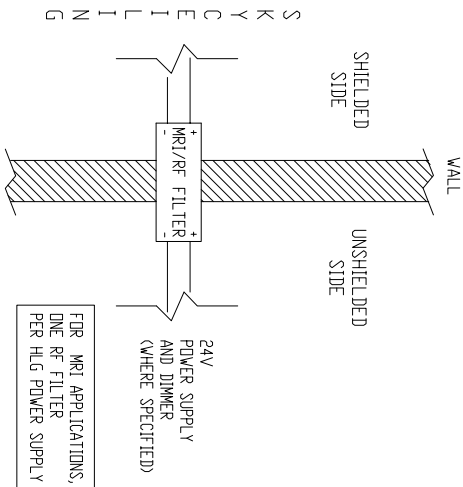
 Sky Factory 10000 Skyway Dallas, TX 75243 (972) 987-1234 www.skyfactory.com	Title: EP AND ES SERIES FIXTURES WITH HLG POWER SUPPLY DIMMING OPTION Date: 07/15/2020 Drawn by: J. Smith Checked by: M. Jones Scale: AS SHOWN
---	--

EP AND ES SERIES FIXTURES
WITH HLG POWER SUPPLY
DIMMING OPTION

- ECODPLUS
EP22 SERIES, EP24 SERIES,
EP26 SERIES, EP33 SERIES,
EP34 SERIES, EP36 SERIES,
EP44 SERIES, EP46 SERIES,
EPCST SERIES
- ECOSLIM
ES22 SERIES, ES24 SERIES,
ES26 SERIES, ES33 SERIES,
ES34 SERIES, ES36 SERIES,
ES44 SERIES, ES46 SERIES,
EPCST SERIES



- NOTES:
1. ALL FIXTURES 24V DC **ONLY**.
 2. JUNCTION BOX ATTACHED TO EACH FIXTURE:
WIRE SIZE 18 AWG STRANDED
WIRE COLORS:
RED (+) (POSITIVE)
BLACK (-) (NEGATIVE)
 3. SEE ALSO WIRE SIZING CHART.
CONTACT THE SKY FACTORY IF YOU PLAN ON USING A
DIMMING SYSTEM PROVIDED BY OTHERS.
 4. USE OF SKY FACTORY APPROVED DIMMING SYSTEM ONLY!
HLG-480H-24B AND HLG-600H-24B HAVE TWO SETS OF
OUTPUT LEADS. MEANWELL RECOMMENDS LOADING NO MORE THAN
240 WATTS ON EACH SET OF CABLES FOR HLG-480H-24B
480 WATTS ON EACH SET OF CABLES FOR HLG-600H-24B
- NOTICE: DIMMING USING NON-APPROVED SYSTEMS
MAY PERMANENTLY DAMAGE LEDS AND WILL
VOID THE WARRANTY!



NOTE:
ALL CABLEING MUST BE
230V MAINS RATED.

Sky Factory		REV
SKY FACTORY 10000 WILSON BLVD SUITE 100 FORT WORTH, TX 76116 TEL: 817.335.1111 FAX: 817.335.1112 WWW.SKYFACTORY.COM		DATE: 01/01/2019 DRAWN BY: J. BROWN CHECKED BY: J. BROWN SCALE: METRIC SHEET 1 OF 1
PROJECT:	NO. HL 0010391	REV
TITLE:	WIRING DIAGRAM FOR HLG POWER SUPPLY WITH DIMMING OPTION	C